



Professional Power supply Industrial PC, server, storage

Best Solution Guide

AC Input :

VOLTAGE : 90~132 or 185~260V, (115/230 auto)

FREQUENCY : 50/60Hz

INPUT CURRENT : 8A/4A For 115/230VAC

INRUSH CURRENT : 60A/80A MAX FOR 115/230

DC Output :

OUTPUT VOLTAGE	OUTPUT CURRENT		REGULATION		OUTPUT RIPPLE & NOISE MAX. [P-P]
	MIN (A)	MAX (A)	LOAD	LINE	
+5V	3	40	±5%	±1%	50mV
+12V	2	20	±5%	±1%	120mV
-5V	0.1	0.3	±10%	±1%	150mV
-12V	0.1	0.8	±10%	±1%	150mV
+3.3V	1	20	±5%	±1%	50mV
+5VSB	0.1	2	±5%	±1%	50mV

The combined output power +5V&+3.3V shall not exceed 200W.

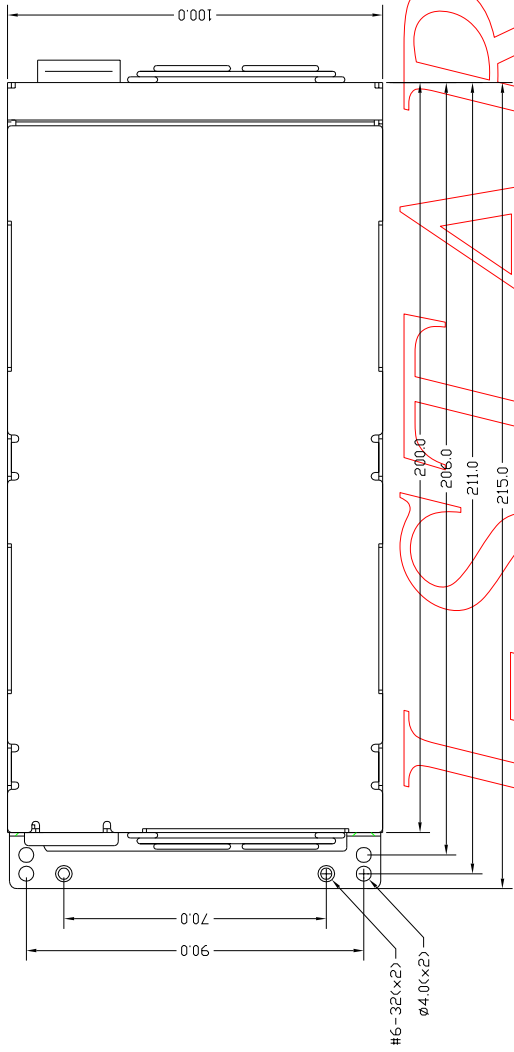
The total power shall not exceed 400W.

Features...

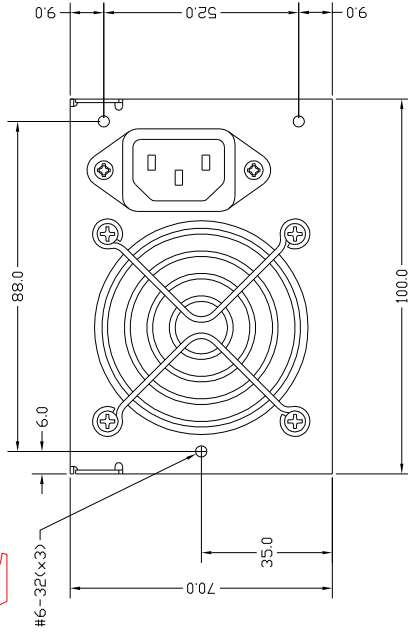
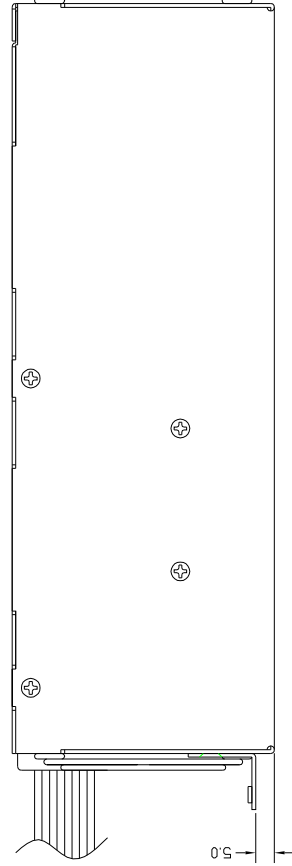
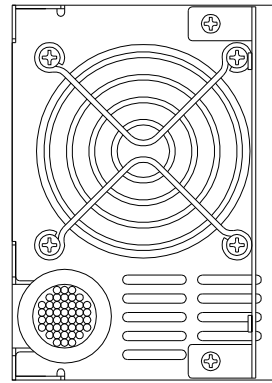
- ⊙ TEMPERATURE RANGE : Operation 0°C ~ 50°C
- ⊙ HOLD UP TIME : 16ms at maximum load & normal input voltage
- ⊙ EFFICIENCY : 68% TYPICAL (Normal Line)
- ⊙ POWER GOOD SIGNAL : Should be asserted high to indicate that +5VDC and +3.3VDC output are above the low voltage thresholds. Compatible signal out with 100ms to 500ms.
- ⊙ OVER POWER PROTECTION : The power supply shall shut down output power exceeds 130% to 160%
- ⊙ OVER VOLTAGE PROTECTION : Standard on +5.0V, set at 6.25VDC ± 0.75VDC
- ⊙ SHORT CIRCUIT PROTECTION : A short circuit placed between the DC return and the output shall cause no damage and the power supply shall shutdown.
- ⊙ EMI : FCC part 15, subpart B, Class B, EN55022 CISPR22 Class B.
- ⊙ GAENCY APPROVALS : UL60950, CAN/CSA22.2 No.60950, TUV(IEC60950)
- ⊙ MTBF OF POWER SUPPLY ELECTRONNIS : 100,000 hours at 25°C.
LIFE EXPCTANCY OF FAN 40,000 hours at 40°C
- ⊙ COLLING : By forced air 2x60mm Fan
- ⊙ DIMENSION : D200 X W100 X H70mm

REVISIONS

REV	DESCRIPTION	SIGN	DATE



I-STAR

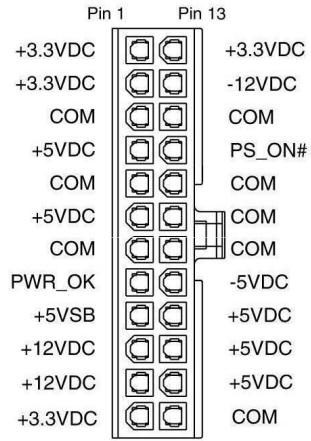


TOLEANCES	MATERIAL	UNIT	PART NO
.X= +/- 0.25	REMARK	SCLAE 1:1	MODEL
.XX= +/- 0.100	APPD	DWG NO.	NAME
	CKD	SHEET	DF
		DATE	/ /

TC-2UXX

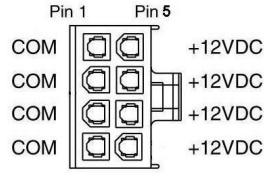


PINOUPS OF CONNECTORS

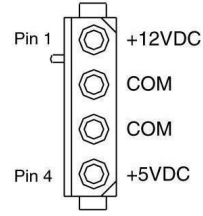


Main Power Connector

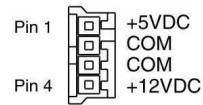
- | | | |
|-----------------------|------------------------|--------------------|
| +12V = yellow | +5VSB = brown | -5V = white |
| +5V = red | PS_ON# = gray | -12V = blue |
| +3.3V = purple | PWR_OK = orange | COM = black |



+12V 8P Power Connector



Peripheral Power Connector



Floppy Drive Power Connector

